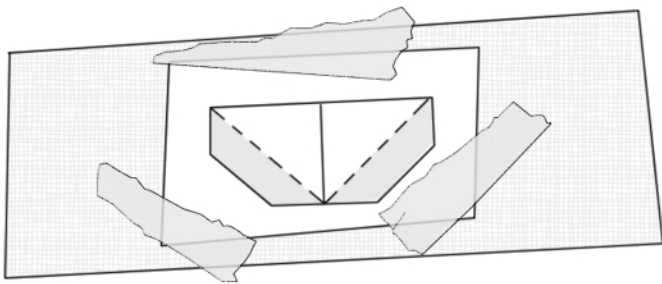
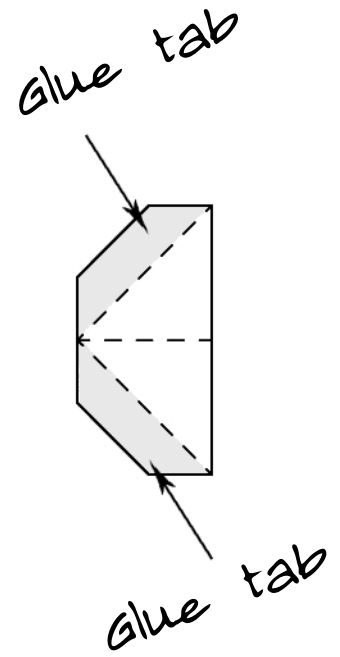
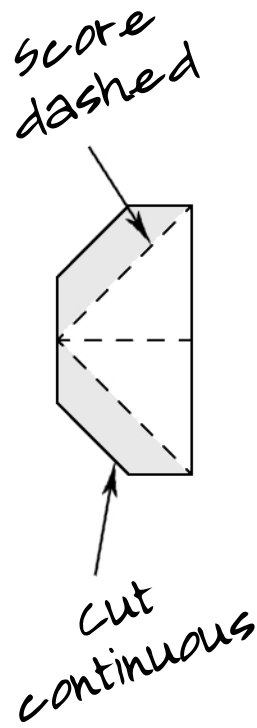
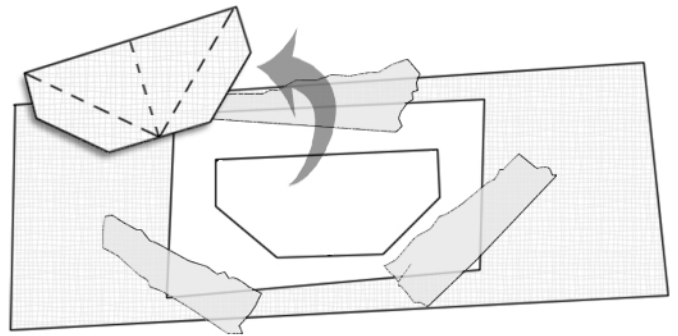


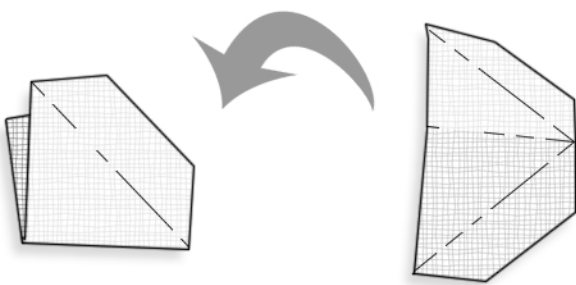
Moving Arm Mechanism



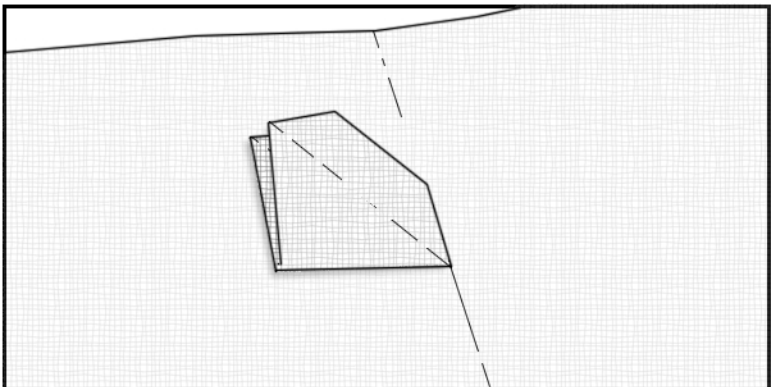
1. Use masking-tape to glue one of the templates above, on a patterned paper matching the card's base.



2. Score the dashed lines and cut along the continuous lines.



3. Fold the scored lines to obtain flexible axes. Fold the mechanism in two.



4. Add glue to one of the glue tabs and attach to the card's base - right next to the center fold and perpendicular to it.

- File for Print -

All rights reserved to ShirA Ganany, please do not publish or copy in any way.
Thanx!

littlegreenbox.wordpress.com